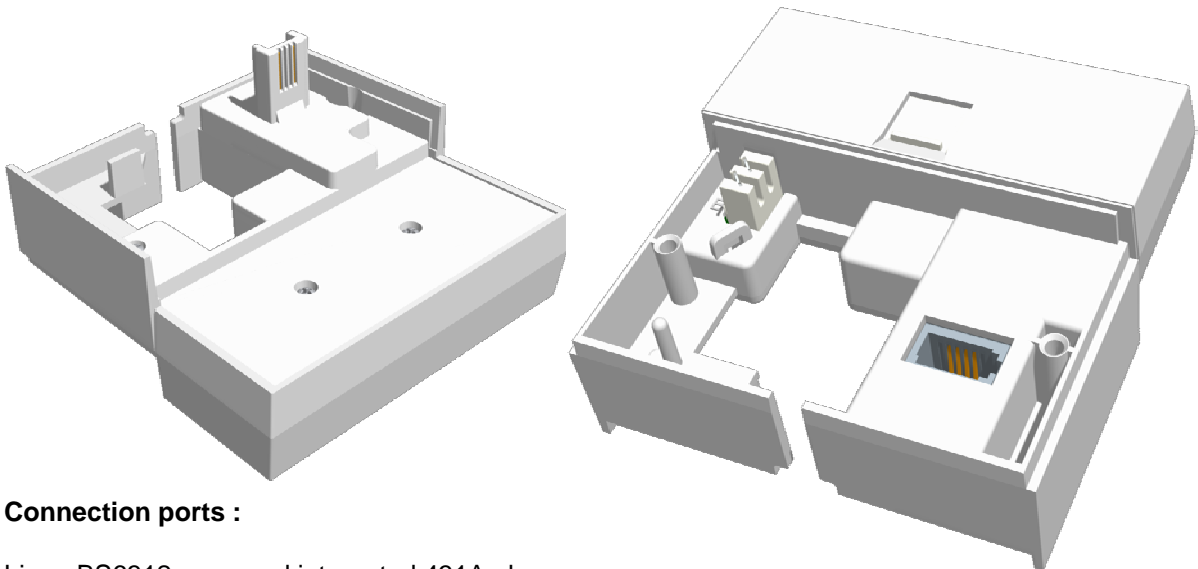


VDSL Interstitial Faceplate

Available from www.run-it-direct.co.uk

Product Overview

The Pressac VDSL Interstitial Faceplate is designed to plug into a standard NTE5 residential telephone socket. Sitting between the Network operators main housing and the Customer's Connection Unit, it provides filtering for all connected telephone extensions and can be installed without having to disconnect any previously installed extension wiring. VDSL modem connection is provided by the shuttered RJ45 socket on the front of the unit. Alternatively, provision is made for connection of the modem via an internal 2 way IDC connector.



Connection ports :

Line : BS6312 approved integrated 431A plug.

CCU : BS6312 approved 4 way 401A socket (filtered).

VDSL Modem : Direct coupled RJ45 socket (RJ11 compatible).

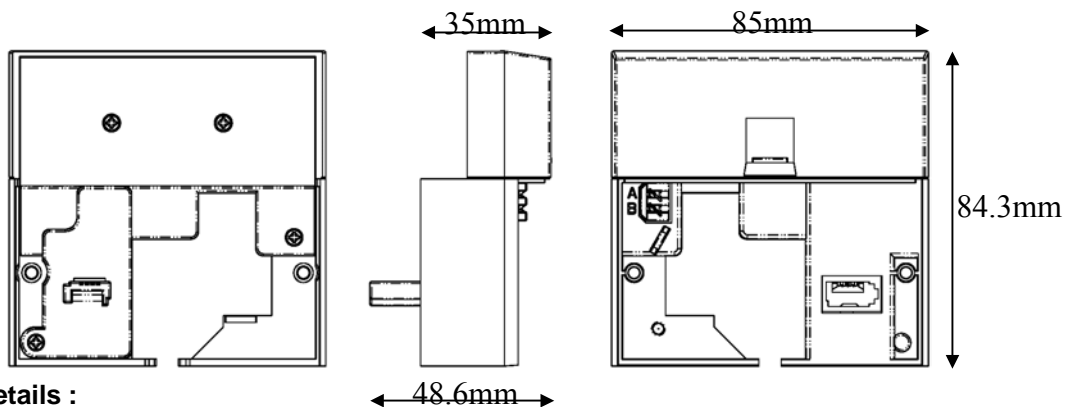
Direct coupled 2 way IDC connector (LSA style).

Key Features :

Approved by BT Openreach for VDSL connections.

Designed for self install without need to disconnect existing extension wiring.

Filters all connected voice equipment so negating the need for microfilters.



Technical Details :

Moulded from V0 rated material colour matched to BT 1P white.

CE Marked.

Supplied with long length mounting screws.

Differential and common Mode filtering performance specified past 10MHz.

data sheet